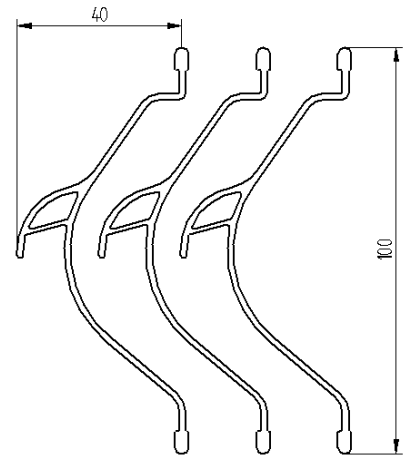
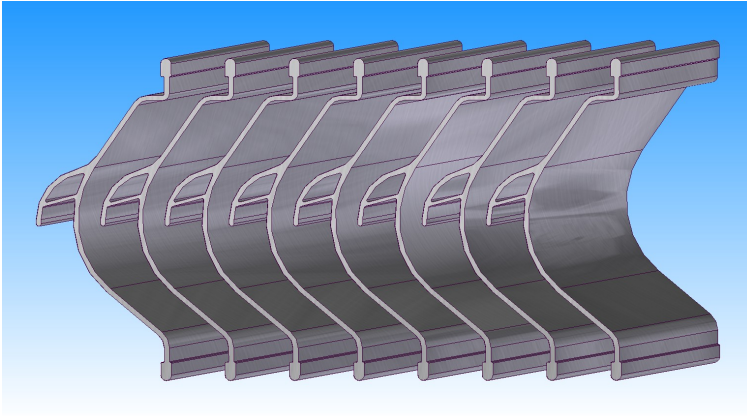


Demister profile T500



The demister profile T500 is primarily used in air-conditioning technology to separate condensation after air cooling at inflow speeds of 2 to 5 m/s.

Due to the low installation depth of 100mm and in combination with the clip spacer, this profile allows demister canisters to be installed with minimal space requirements.

Operating principle

Drops of liquid are separated according to the inertia effect with this single-nose profile.

The drops are driven towards the inner surfaces of the profile by the profile's curvature and discharged at the catching pockets.

Scope of application

The profile T500 is used as a demister with a profile distance of 25 - 33 mm.

Materials

PPTV (talc reinforced polypropylene) with a continuous operating temperature of approx. 80 °C.

This profile can also operate at temperatures up to 110 °C for short periods.

Also available in aluminium and stainless steel (V2A, V4A, AISI 304, AISI 316)

