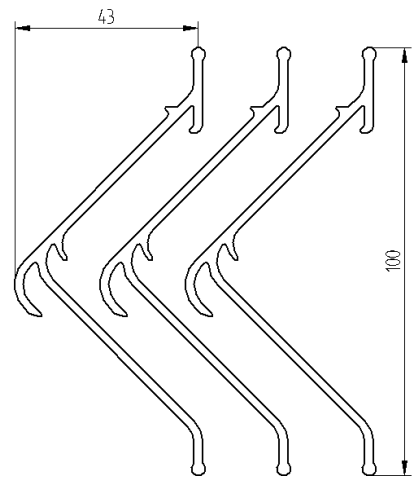
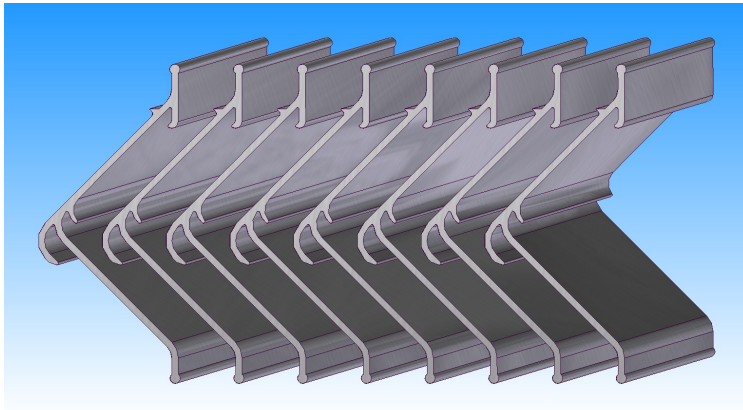


Demister profile T400/1



Thanks to the positioning of the catching pockets in the demister profile T400/1, the separator can be used with relatively large profile distances at the same installation depth. Saving up to 25% of the profiles.

The demister profile can also be used at inflow speeds of 2 to 4 m/s, leading to significant cost-savings due to larger profile distances.

Operating principle

Drops of liquid are separated according to the inertia effect with this single-layer profile.

The drops are driven towards the inner surfaces of the profile by the profile's curvature and discharged at the catching pockets. Inner and outer catching pockets can also be fitted in the curvature area to allow larger quantities of liquid to channel through.

Scope of application

- Used as a rectifier

The profile T400 is used as a rectifier in our air scrubbers with a profile distance of 30 mm.

Materials

Talc reinforced polypropylene with a continuous operating temperature of approx. 100 °C.

This profile can also operate at temperatures up to 130 °C for short periods.

Also available in PVC, aluminium and stainless steel (V2A, V4A, AISI 304, AISI 316)