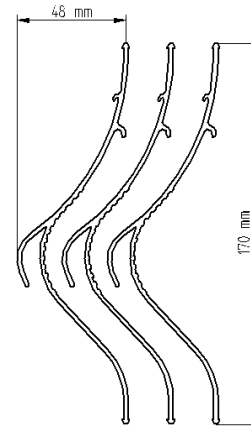
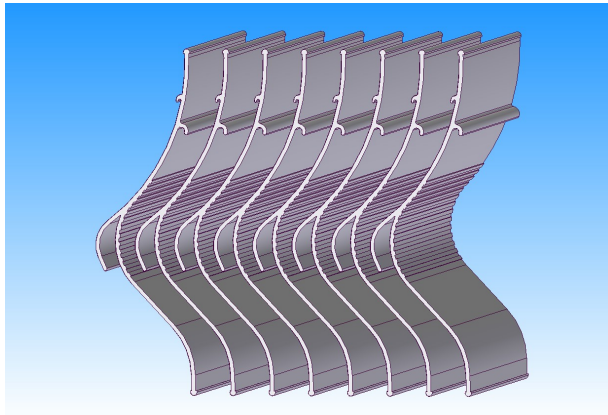


## Demister profile T100



The single-nose profile T100 is characterised by low pressure loss and a high degree of separation.

### Operating principle

Drops of liquid are separated according to the inertia effect.

The drops are driven towards the inner surfaces of the profile by the profile's curvature and discharged at the catching pockets.

In addition, the profile's inner surface features sharp-edged ridges to channel residual liquids.

### Scope of application

- Used as a rectifier  
 The separator is used as a rectifier at the inflow to our air scrubbers with a profile distance of 20 to 33 mm.
- Use as a demister  
 The profile is used as a demister with a distance of 20 mm for air scrubbers with air flows between 3.5 and 7 m/s.

### Materials

PPTV (talc reinforced polypropylene) with a continuous operating temperature of approx. 80 °C.

This profile can also operate at temperatures up to 110 °C for short periods.

Also available in PVC, aluminium and stainless steel (V2A, V4A, AISI 304, AISI 316)

